

DASHANG
大上电器

DUSUNG
Refrigeration

DASHANG
大上电器

DUSUNG
Refrigeration

DASHANG REFRIGERATION PRODUCT CATALOG 2025

All series of commercial refrigeration
equipments will provide you the refrigeration beyond imagination.



Qingdao Dashang Electric Appliance Co., Ltd

No. 70 Jinsheng 1 Road, Chengyang District, Qingdao, Shandong Province, China

🌐 Web: www.dashangrefrigeration.com

✉ Email: info@dashangrefrigeration.com

Qingdao·China

DASHANG
大上电器

DUSUNG
Refrigeration

TOGETHER TO CREATE A COOLER WORLD





CONTENTS

01

About Company

page
01-04

02

Island Freezer & Combined Freezer

page
05-013

03

Air-curtain Upright Fridge

page
014-026

04

Glass-door Upright Fridge/ Freezer

page
027-036

05

Fresh-food Cabinet

page
037-048

06

Deli Cabinet

page
049-054

07

Recent Cases

page
055

DASHANG
大上电器



Kenkuhl®

中科绿能
ZOCOLN



Pillars

Craftsmanship, Creativity,
Quality, Synergy

Value

Innovation, Cooperation,
Sustainability, Integrity

Vision

Together to create a
cooler world

DASHANG
大上电器

For 23 years, dashang has dedicated to meet the needs of various segments in the global commercial refrigeration field, relying on exceptional craftsmanship, creativity, quality, and synergy.

Our product range includes refrigerated display cabinets, stainless steel cabinets, refrigeration units, and panels, catering to the various needs of retail, food and beverage, and Ho.Re.Ca. markets, providing a one-stop shopping service.

We consistently commits to learning from global markets, providing partners with the latest market insights, extensive product experience, and reliable products, to benefit the partners' brands and their final users.

DASHANG'S PRODUCTION CAPABILITY

Dashang's production capabilities are marked by advanced technology and a commitment to efficiency. Our manufacturing facilities, equipped with state-of-the-art machinery and spanning extensive areas, enable us to produce a wide variety of commercial refrigeration products.



The integration of automated processes and rigorous quality control systems ensures that our products meet the highest standards of reliability and performance. With a focus on innovation and sustainability, Dashang continually adapts its production methods to align with global market demands and environmental considerations. This robust production infrastructure positions us to effectively serve our diverse clientele across the world.





GLOBAL SERVICE NETWORK

Over the past decade, Dashang has provided outstanding refrigeration services and products to customers in more than 60 countries around the world.

ZOAK

Right Angle Fresh Food Cabinet

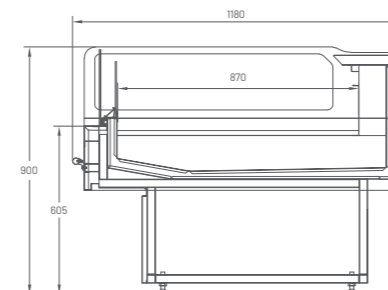
PRODUCT FEATURES

- Open service counter
- Famous brand compressor
- Energy saving and high efficiency
- Surrounding air-cooling to maintain temperature
- Intelligent temperature controller
- Stainless steel shelves and back plate
- Optimized height and display design
- RAL colour choices

PRODUCT PERFORMANCE

Model	Size(mm)	Temperature range(°C)
ZK12A-M01	1320*1180*900	-2~5
ZK18A-M01	1945*1180*900	-2~5
ZK25A-M01	2570*1180*900	-2~5
ZK37A-M01	3820*1180*900	-2~5
ZKW90A-M01	1525*1525*900	-2~5

SECTIONAL VIEW











51 Zoak Right Angle Fresh Food Cabinet



MILANO

Classic Deli Cabinet

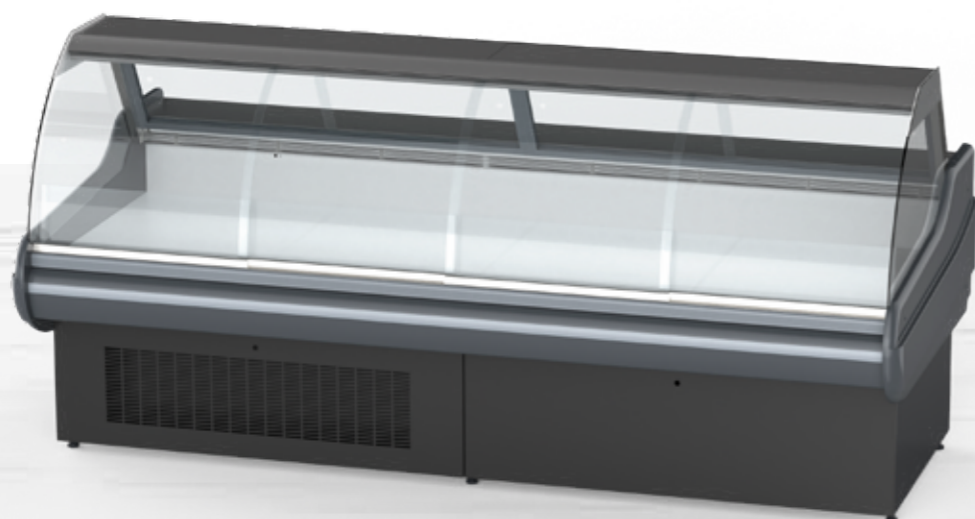
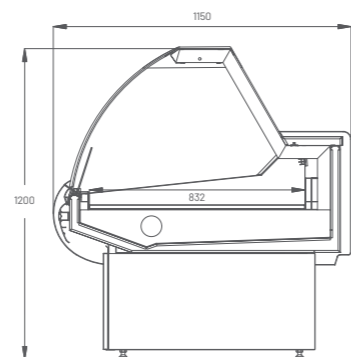
PRODUCT FEATURES

-  Famous brand compressor
-  Energy saving and high efficiency
-  Up down and sliding front glass door
-  Auto defrosting
-  Stainless steel shelves and back plate
-  Internal LED lighting
-  Optimized height and display design
-  -2~-2 °C options

PRODUCT PERFORMANCE

Model	Size(mm)	Temperature range(°C)
GB12A/L-M01	1350*1150*1200	0~5
GB18A/L-M01	1975*1150*1200	0~5
GB25A/L-M01	2600*1150*1200	0~5
GB37A/L-M01	3850*1150*1200	0~5
GB12A/U-M01	1350*1150*1200	0~5
GB18A/U-M01	1975*1150*1200	0~5
GB25A/U-M01	2600*1150*1200	0~5
GB37A/U-M01	3850*1150*1200	0~5









SECTIONAL VIEW



MIAMI

Deluxe Deli Cabinet

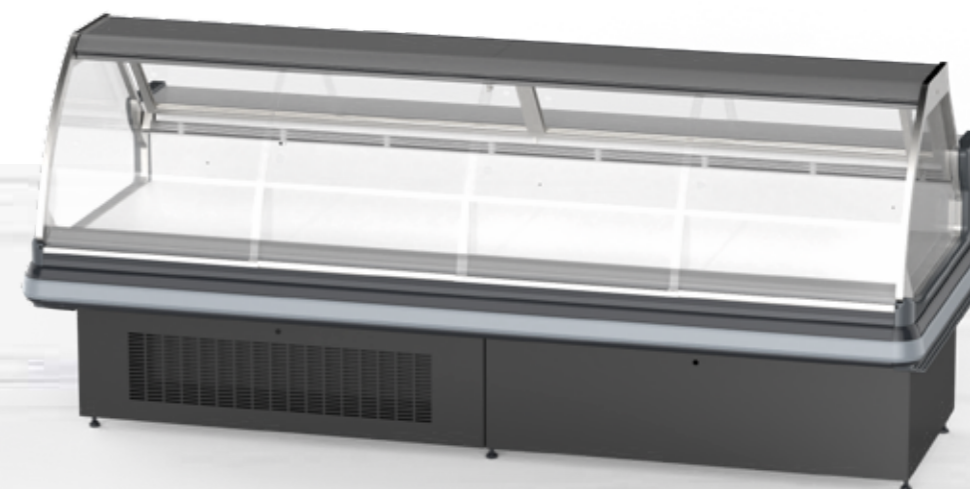
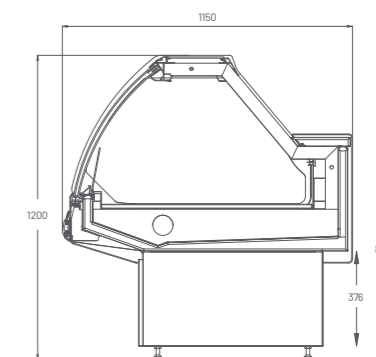
PRODUCT FEATURES

-  Famous brand compressor
-  Energy saving and high efficiency
-  Up down and sliding front glass door
-  Auto defrosting
-  Stainless steel shelves and back plate
-  Internal LED lighting
-  Full glass side panel
-  -2~-2 °C options

PRODUCT PERFORMANCE

Model	Size(mm)	Temperature range(°C)
GB12H/L-M01	1410*1150*1200	0~5
GB18H/L-M01	2035*1150*1200	0~5
GB25H/L-M01	2660*1150*1200	0~5
GB37H/L-M01	3910*1150*1200	0~5
GB12H/U-M01	1410*1150*1200	0~5
GB18H/U-M01	2035*1150*1200	0~5
GB25H/U-M01	2660*1150*1200	0~5
GB37H/U-M01	3910*1150*1200	0~5

SECTIONAL VIEW



INDIANA

Deli Cabinet

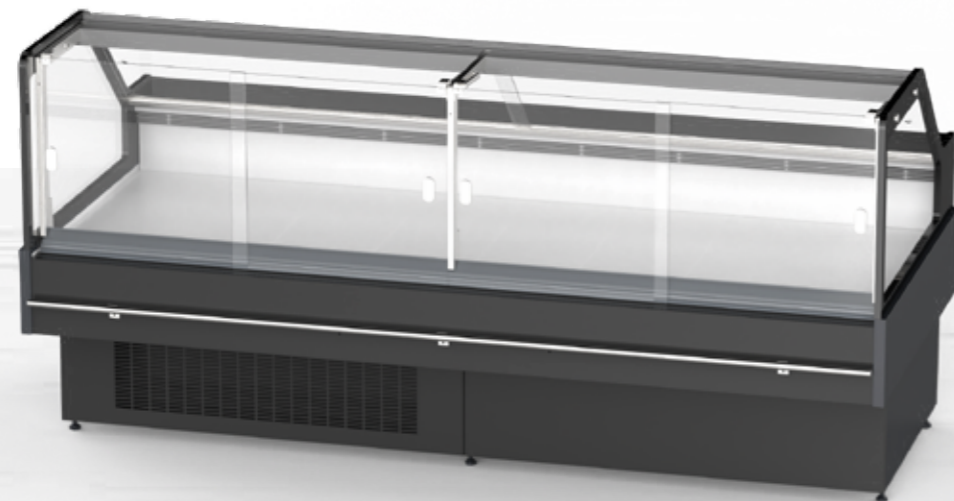
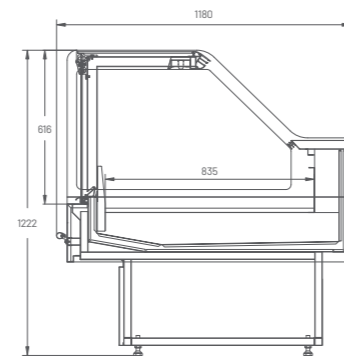
PRODUCT FEATURES

- Famous brand compressor
- Energy saving and high efficiency
- Up down and sliding front glass door
- All-side transparent window
- Stainless steel shelves and back plate
- Internal LED lighting
- Auto defrosting
- 2~2 °C options

PRODUCT PERFORMANCE

Model	Size(mm)	Temperature range(°C)
ZB12A/U-M01	1320*1180*1222	0~5
ZB18A/U-M01	1945*1180*1222	0~5
ZB25A/U-M01	2570*1180*1222	0~5
ZB37A/U-M01	3820*1180*1222	0~5
ZB12A/L-M01	1320*1180*1222	0~5
ZB18A/L-M01	1945*1180*1222	0~5
ZB25A/L-M01	2570*1180*1222	0~5
ZB37A/L-M01	3820*1180*1222	0~5

SECTIONAL VIEW



INDIANA PRO

Deli Cabinet

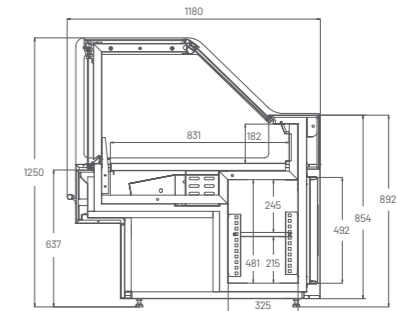
PRODUCT FEATURES

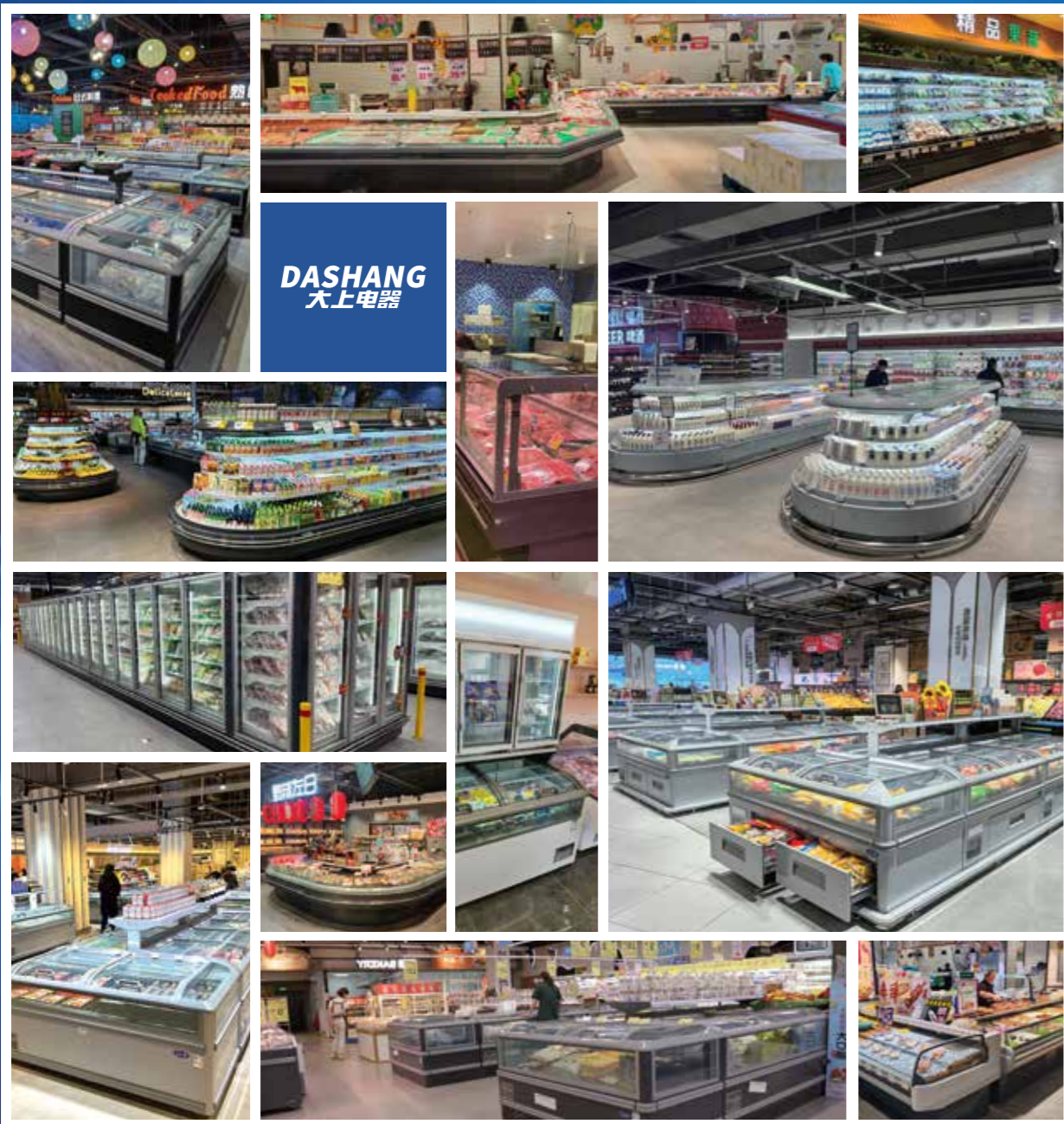
- Famous brand compressor
- Energy saving and high efficiency
- Up down and sliding front glass door
- All-side transparent window
- Stainless steel shelves and back plate
- Internal LED lighting
- Auto defrosting
- 2~2 °C options

PRODUCT PERFORMANCE

Model	Size(mm)	Temperature range(°C)
ZB12A/CU-M01	1320*1180*1250	0~5
ZB18A/CU-M01	1945*1180*1250	0~5
ZB25A/CU-M01	2570*1180*1250	0~5
ZB37A/CU-M01	3820*1180*1250	0~5

SECTIONAL VIEW





DASHANG
大上电器

DASHANG
大上电器

DUSUNG
Refrigeration