

**DASHANG**  
大上电器

**DUSUNG**  
Refrigeration

**DASHANG**  
大上电器

**DUSUNG**  
Refrigeration

# DASHANG REFRIGERATION PRODUCT CATALOG 2025

All series of commercial refrigeration  
equipments will provide you the refrigeration beyond imagination.



Qingdao Dashang Electric Appliance Co., Ltd

No. 70 Jinsheng 1 Road, Chengyang District, Qingdao, Shandong Province, China

🌐 Web: [www.dashangrefrigeration.com](http://www.dashangrefrigeration.com)

✉ Email: [info@dashangrefrigeration.com](mailto:info@dashangrefrigeration.com)

Qingdao·China

**DASHANG**  
大上电器

**DUSUNG**  
Refrigeration

**TOGETHER TO CREATE A COOLER WORLD**

---





# CONTENTS

<b>01</b>	<b>02</b>	<b>03</b>	<b>04</b>	<b>05</b>	<b>06</b>	<b>07</b>
<u>About Company</u>	<u>Island Freezer &amp; Combined Freezer</u>	<u>Air-curtain Upright Fridge</u>	<u>Glass-door Upright Fridge/ Freezer</u>	<u>Fresh-food Cabinet</u>	<u>Deli Cabinet</u>	<u>Recent Cases</u>
page 01-04	page 05-013	page 014-026	page 027-036	page 037-048	page 049-054	page 055

DASHANG  
大上电器



Kenkuhl®

中科绿能  
ZOCOLN



### Pillars

Craftsmanship, Creativity,  
Quality, Synergy

### Value

Innovation, Cooperation,  
Sustainability, Integrity

### Vision

Together to create a  
cooler world

DASHANG  
大上电器

For 23 years, dashang has dedicated to meet the needs of various segments in the global commercial refrigeration field, relying on exceptional craftsmanship, creativity, quality, and synergy.

Our product range includes refrigerated display cabinets, stainless steel cabinets, refrigeration units, and panels, catering to the various needs of retail, food and beverage, and Ho.Re.Ca. markets, providing a one-stop shopping service.

We consistently commits to learning from global markets, providing partners with the latest market insights, extensive product experience, and reliable products, to benefit the partners' brands and their final users.

## DASHANG'S PRODUCTION CAPABILITY

Dashang's production capabilities are marked by advanced technology and a commitment to efficiency. Our manufacturing facilities, equipped with state-of-the-art machinery and spanning extensive areas, enable us to produce a wide variety of commercial refrigeration products.



The integration of automated processes and rigorous quality control systems ensures that our products meet the highest standards of reliability and performance. With a focus on innovation and sustainability, Dashang continually adapts its production methods to align with global market demands and environmental considerations. This robust production infrastructure positions us to effectively serve our diverse clientele across the world.





# GLOBAL SERVICE NETWORK

Over the past decade, Dashang has provided outstanding refrigeration services and products to customers in more than 60 countries around the world.

金锣®

冷鲜肉

34  
周年庆

34  
周年庆

冷鲜

34  
周年庆

政府储备肉  
投放点

猪仔蹄	羊后腿	皓月牛尾	皓月牛腱子	牛肋条	皓月牛上脑
¥59.80	¥69.80	¥98.00	¥69.80	¥59.80	¥59.80

皓月黄瓜条	金锣精瘦肉	金锣前肘肉
¥89.80	¥22.98	¥19.98

sale  
牛腱子  
45.80

sale  
牛肋条  
37.80

sale  
牛上脑  
29.80



# HAIFA

## Fresh Food Cabinet(Plus)

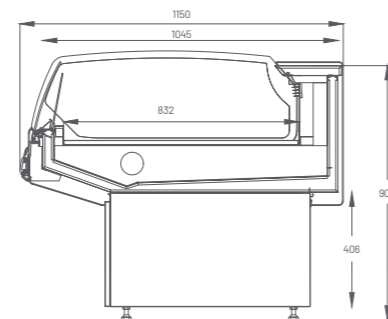
### PRODUCT FEATURES

- Open service counter
- Famous brand compressor
- Energy saving and high efficiency
- Removable glass side panel
- Intelligent temperature controller
- Stainless steel shelves and back plate
- Optimized height and display design
- Multiple combination choices

### PRODUCT PERFORMANCE

Model	Size(mm)	Temperature range(°C)
GKS180H-M02	2240*1115*900	-2~5
GK12H-M01	1410*1150*900	-2~5
GK18H-M01	2035*1150*900	-2~5
GK25H-M01	2660*1150*900	-2~5
GK37H-M01	3910*1150*900	-2~5

### SECTIONAL VIEW



# ACRE

## Fresh Food Cabinet

Right angle fresh food cabinet 44

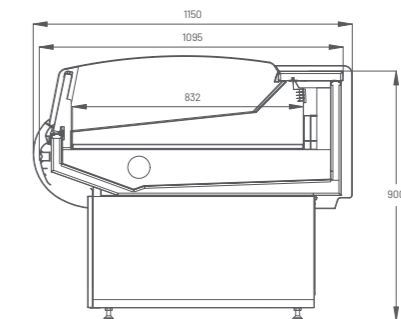
### PRODUCT FEATURES

- Open service counter
- Famous brand compressor
- Energy saving and high efficiency
- Auto defrosting
- Intelligent temperature controller
- Stainless steel shelves and back plate
- Optimized height and display design
- RAL colour choices

### PRODUCT PERFORMANCE

Model	Size(mm)	Temperature range(°C)
GK12A-M01	1350*1150*900	-2~5
GK18A-M01	1975*1150*900	-2~5
GK25A-M01	2600*1150*900	-2~5
GK37A-M01	3850*1150*900	-2~5

### SECTIONAL VIEW



# BRISTOL

## Plug-In/Remote Flat-Top Service Cabinet

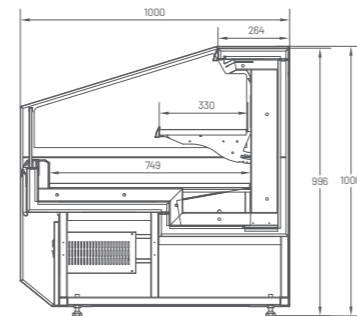
### PRODUCT FEATURES

- Open service counter
- Famous brand compressor
- Energy saving and high efficiency
- Better effect of heat insulation
- Intelligent temperature controller
- Optimized height and display design
- Auto defrosting
- RAL colour choices

### PRODUCT PERFORMANCE

Model	Size(mm)	Temperature range(°C)
GK18B-M01-1000	1955*1000*1000	-2~5
GK25B-M01-1000	2580*1000*1000	-2~5
GKW90B-M01-1000	1880*1800*1000	-2~5
GK18BF-M01-1000	1875*1000*1000	-2~5
GK25BF-M01-1000	2500*1000*1000	-2~5
GKW90BF-M01-1000	1800*1800*1000	-2~5

### SECTIONAL VIEW



# BRISTOL PLUS

## Remote Double-Deck Fresh Food Cabinet

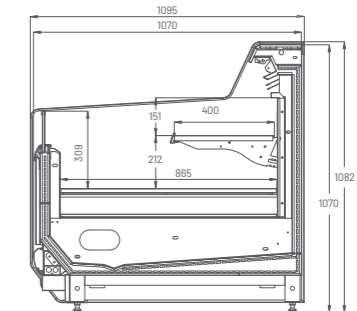
### PRODUCT FEATURES

- Open service counter
- Auto defrosting
- Energy saving and high efficiency
- Better effect of heat insulation
- Intelligent temperature controller
- Optimized height and display design
- RAL colour choices
- Multiple combination choices

### PRODUCT PERFORMANCE

Model	Size(mm)	Temperature range(°C)
GK18BF-M02	1875*1080*1082	-2~5
GK25BF-M02	2500*1080*1082	-2~5
GK37BF-M02	3750*1080*1082	-2~5
GKW90BF-M02	2230*2230*1082	-2~5
GKN90BF-M02	2278*2278*1082	-2~5

### SECTIONAL VIEW



# DUBAI

## Plug-In/Remote Flat-Top Service Freezer

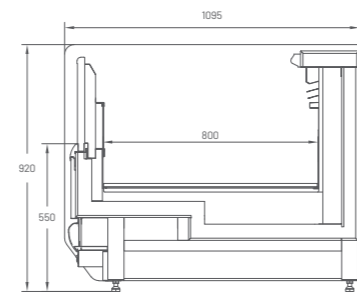
### PRODUCT FEATURES

- Open service counter
- Famous brand compressor
- Energy saving and high efficiency
- Better effect of heat insulation
- Intelligent temperature controller
- Auto defrosting
- Optimized height and display design
- Multiple combination choices

### PRODUCT PERFORMANCE

Model	Size(mm)	Temperature range(°C)
GK18DF-L01	1875*1095*920	-18~-22
GK25DF-L01	2500*1095*920	-18~-22
GK37DF-L01	3750*1095*920	-18~-22
GK18D-L01	1955*1095*990	-18~-22
GK25D-L01	2580*1095*990	-18~-22

### SECTIONAL VIEW



# QATAR

## Fresh Food Cabinet

### PRODUCT FEATURES

- Open service counter
- Famous brand compressor
- Energy saving and high efficiency
- Auto defrosting
- Intelligent temperature controller
- Stainless steel shelves and back plate
- Optimized height and display design
- Multiple combination choices

### PRODUCT PERFORMANCE

Model	Size(mm)	Temperature range(°C)
GK12Q-M01-900	1322*925*905	-2~5
GK18Q-M01-900	1947*925*905	-2~5
GK25Q-M01-900	2527*925*905	-2~5

### SECTIONAL VIEW

